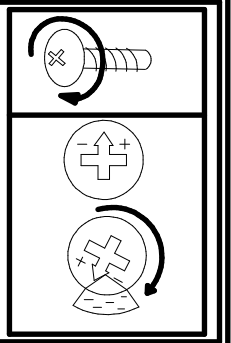
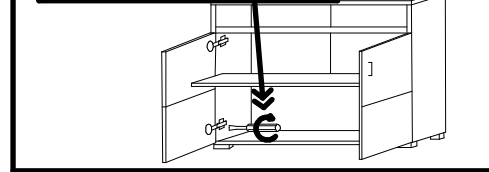
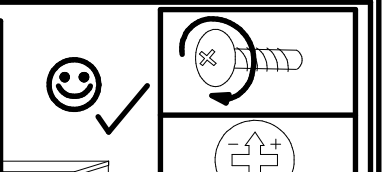
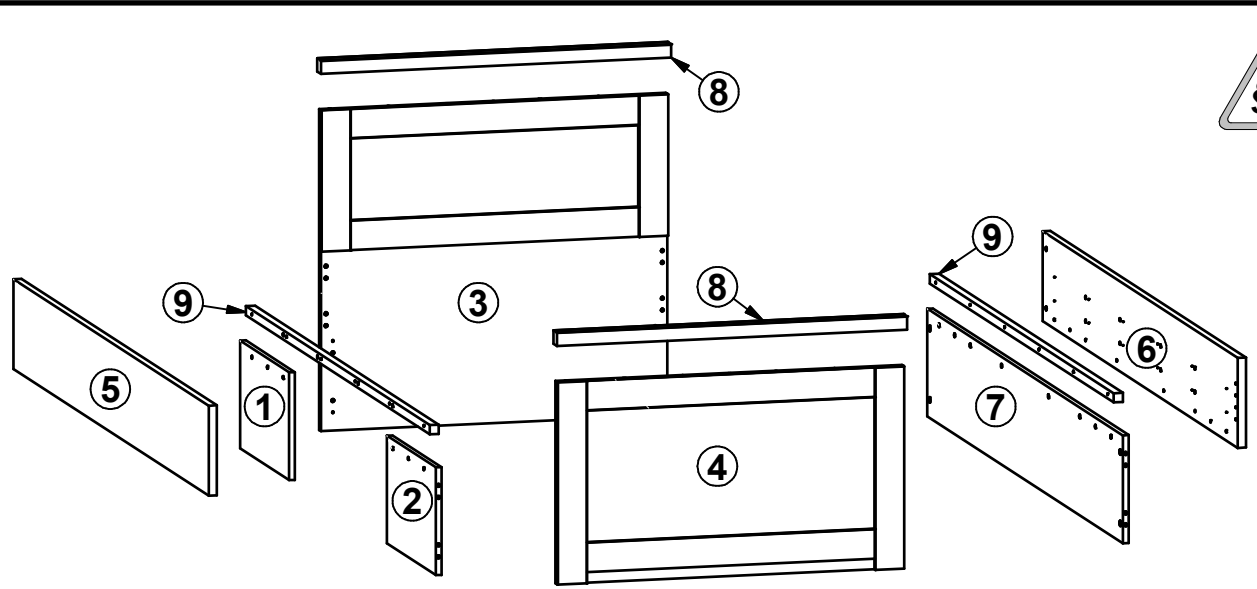
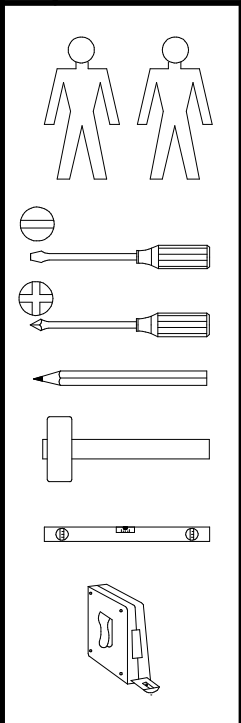
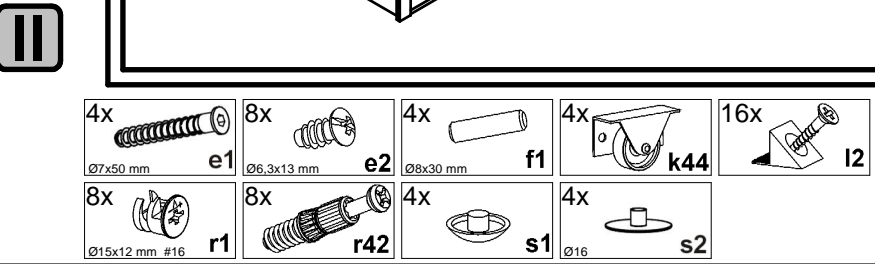
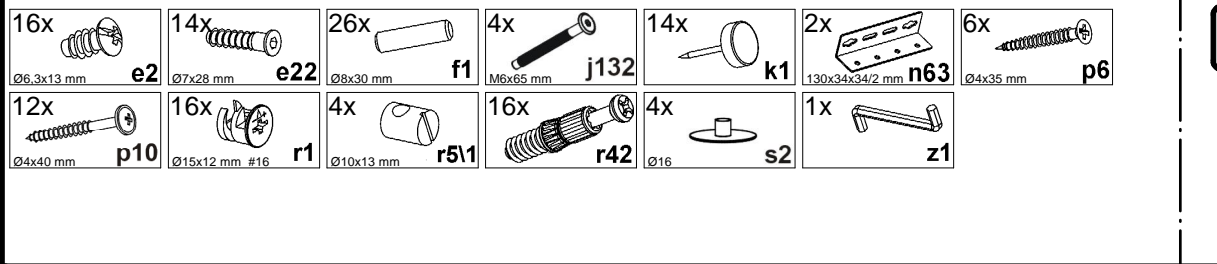
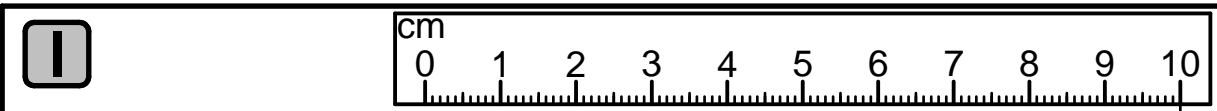
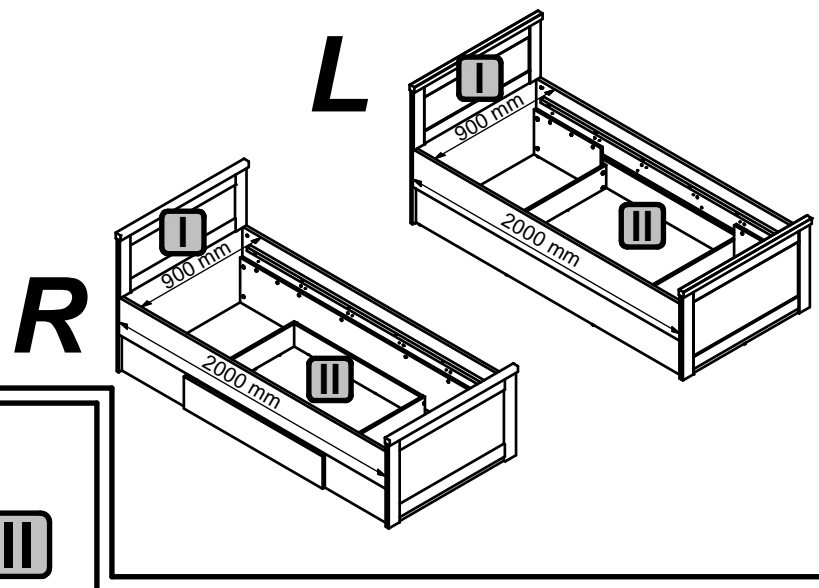
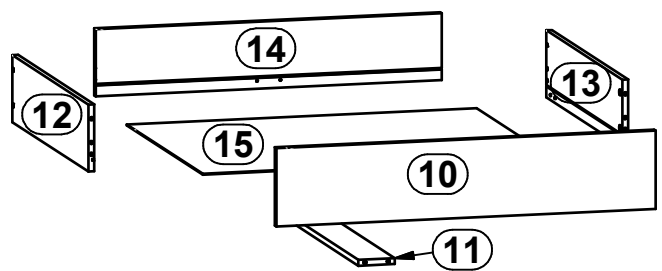


Mo	Tu	We	Th	Fr	Sa	Su
		1	2	3	4	5
6	7	8	9	10	11	12
13	14	15	16	17	18	19
20	21	22	23	24	25	26
27	28	29	30	31		

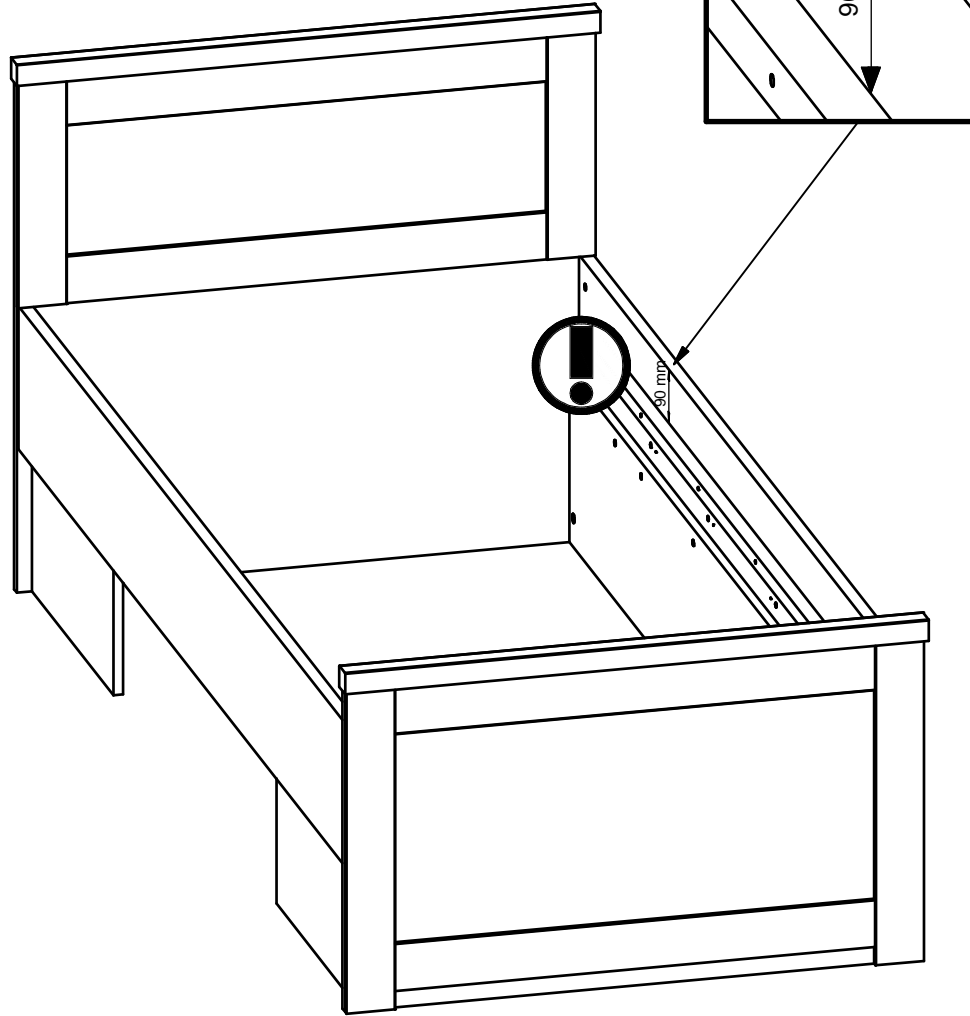




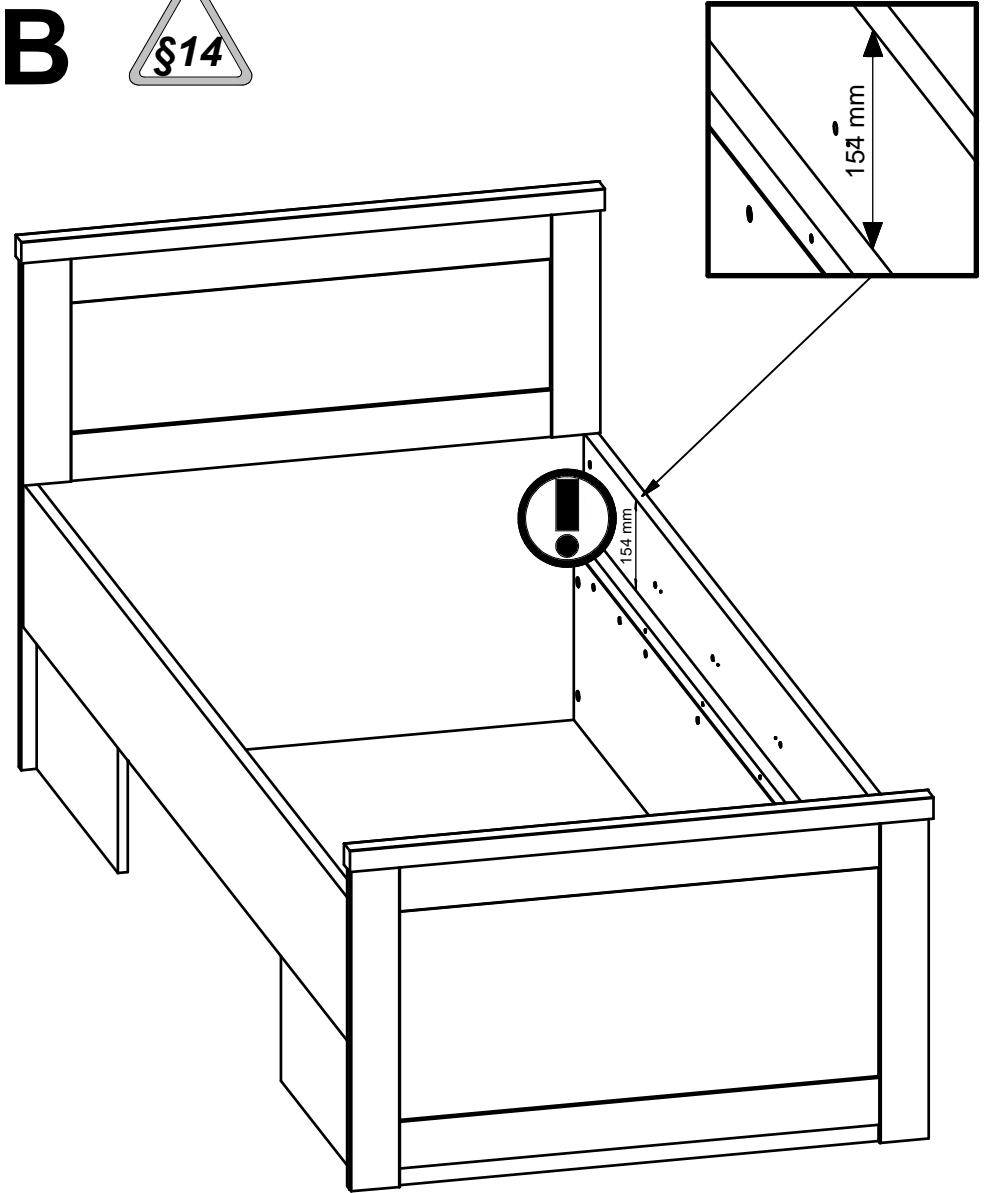
A	B	C (mm)		D
1	L30-402	500	290	1/3
2	L30-403	500	290	1/3
3	S328-013	950	864	1/3
4	S328-014	950	544	2/3
5	S328-122	2000	242	3/3
6	S328-123	2000	242	3/3
7	S328-407	2000	290	3/3
8	S328-581	960	36	3/3
9	ZZ1-747	1880	25	3/3



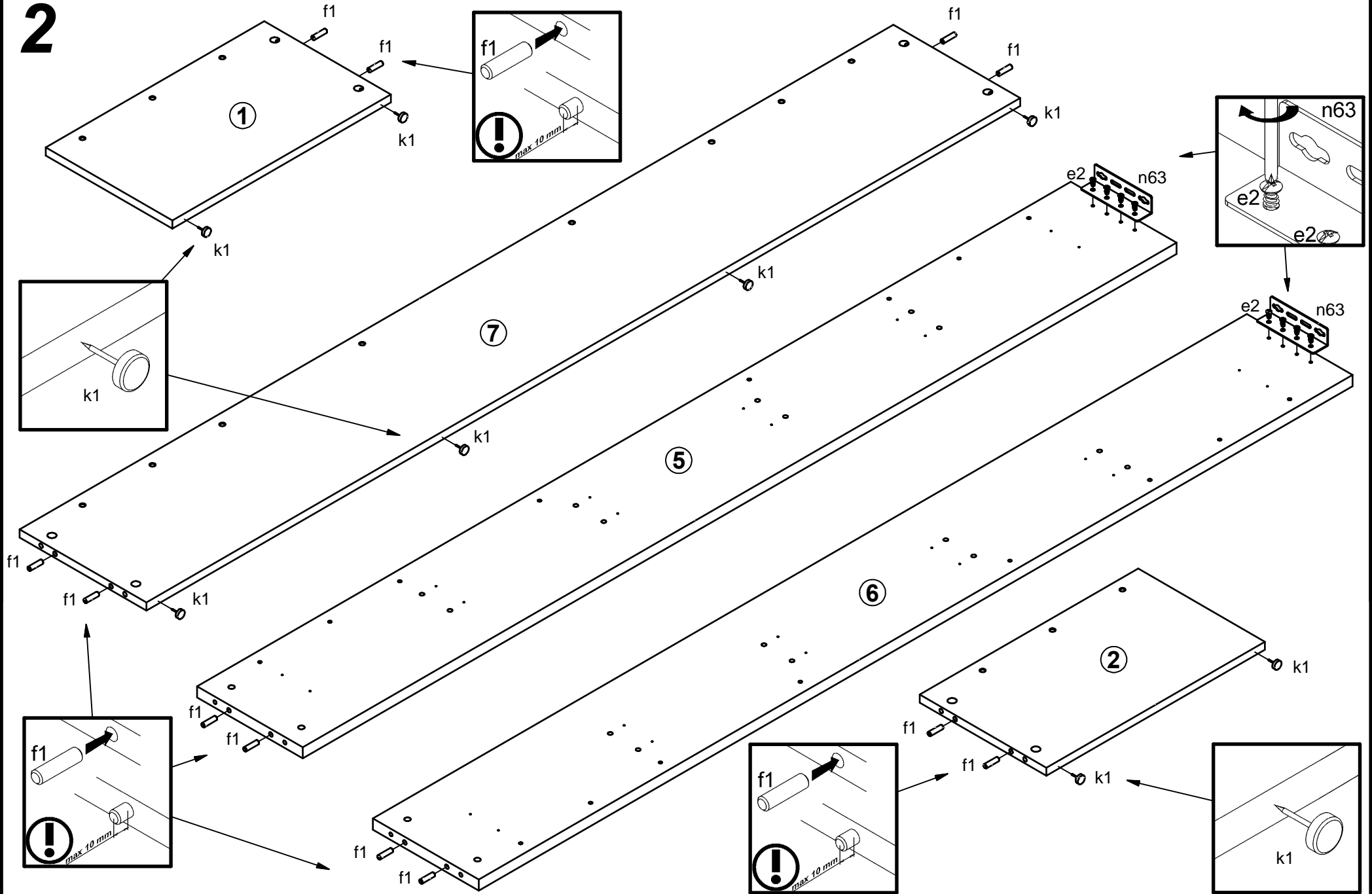
A  §14



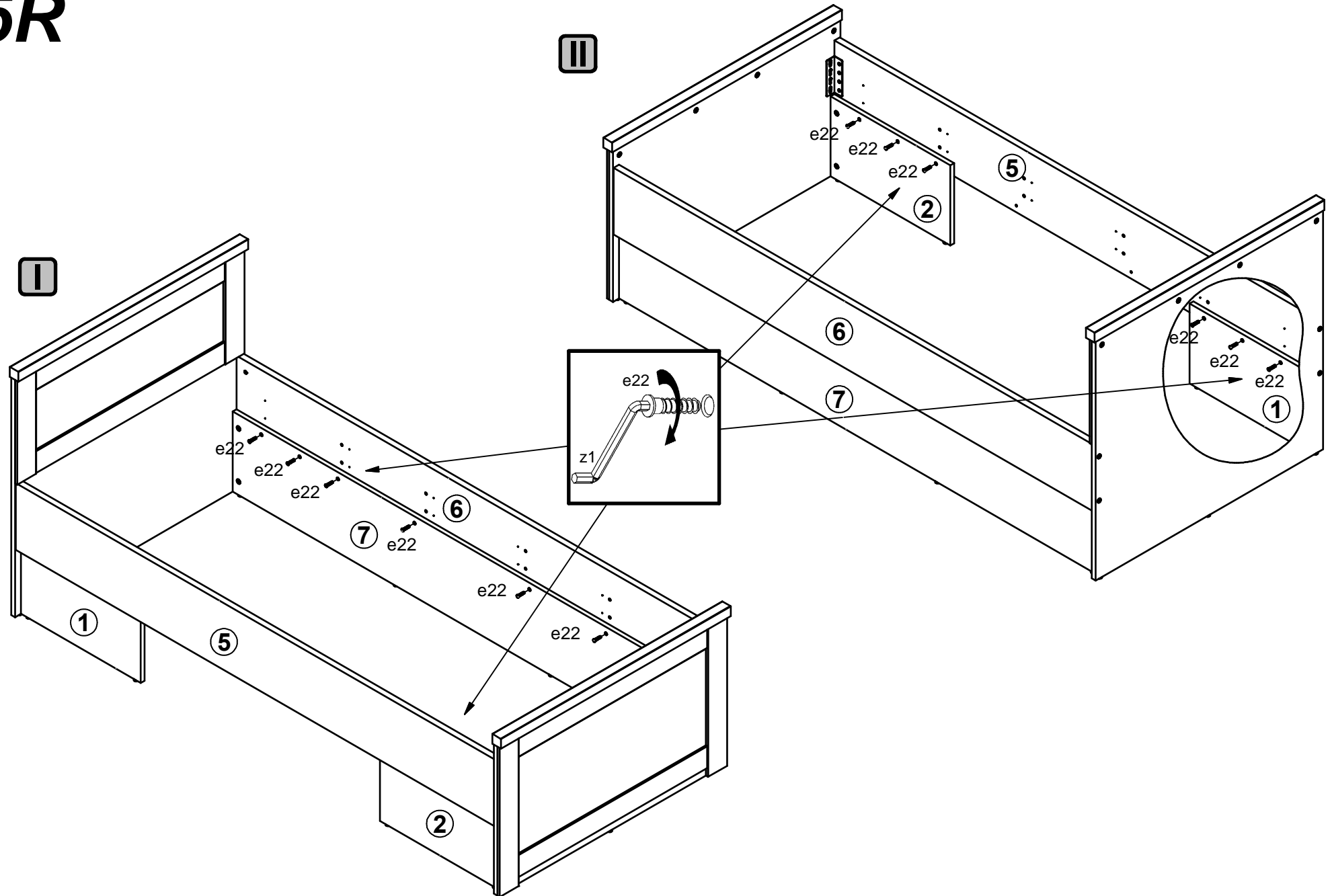
B  §14



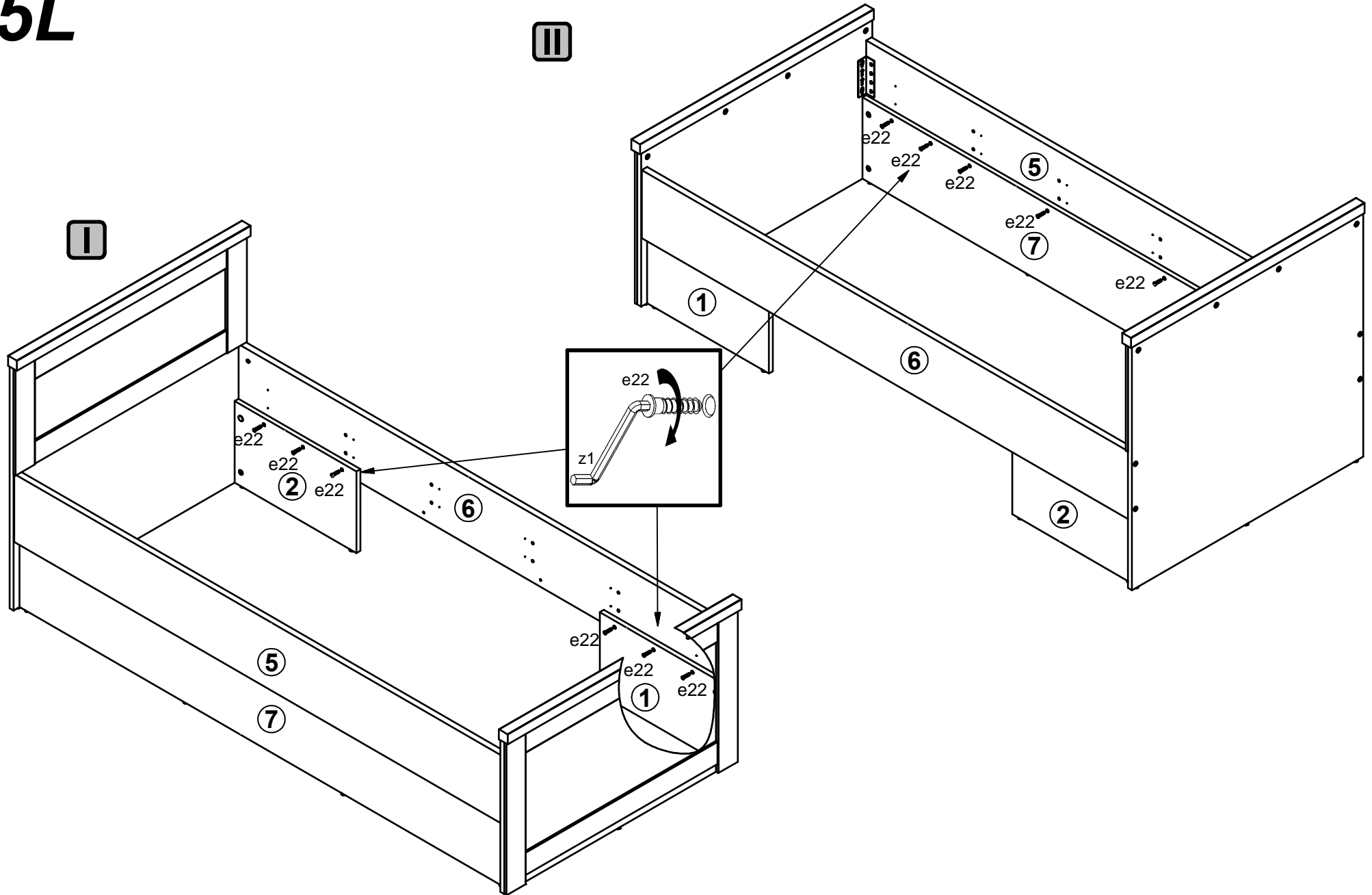
2



5R

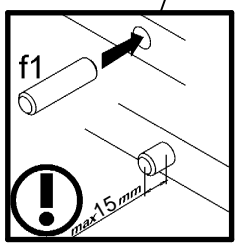
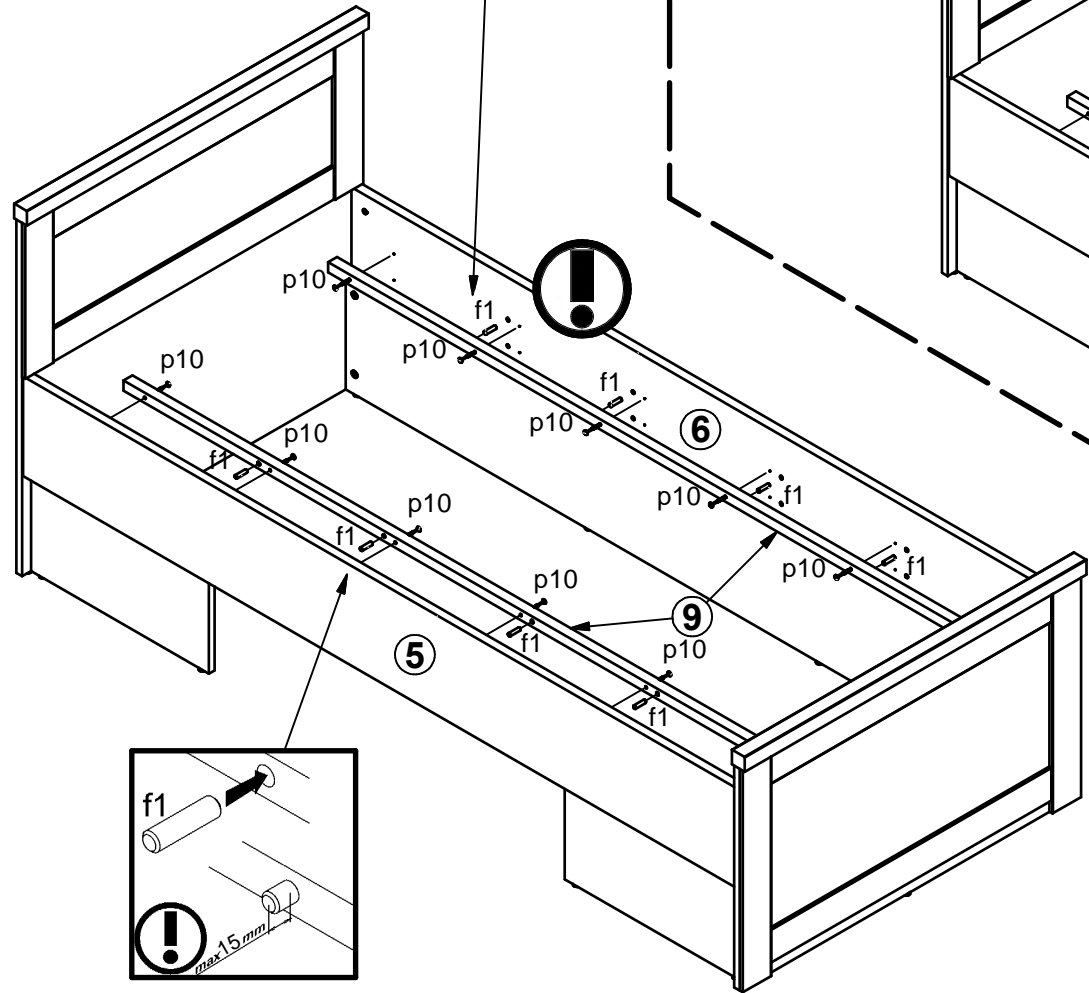
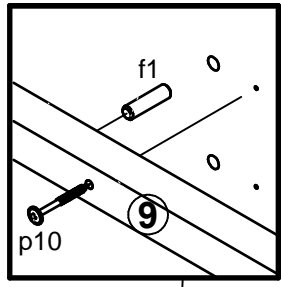


5L

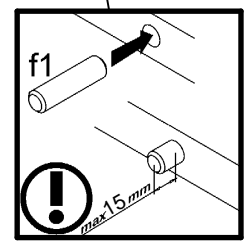
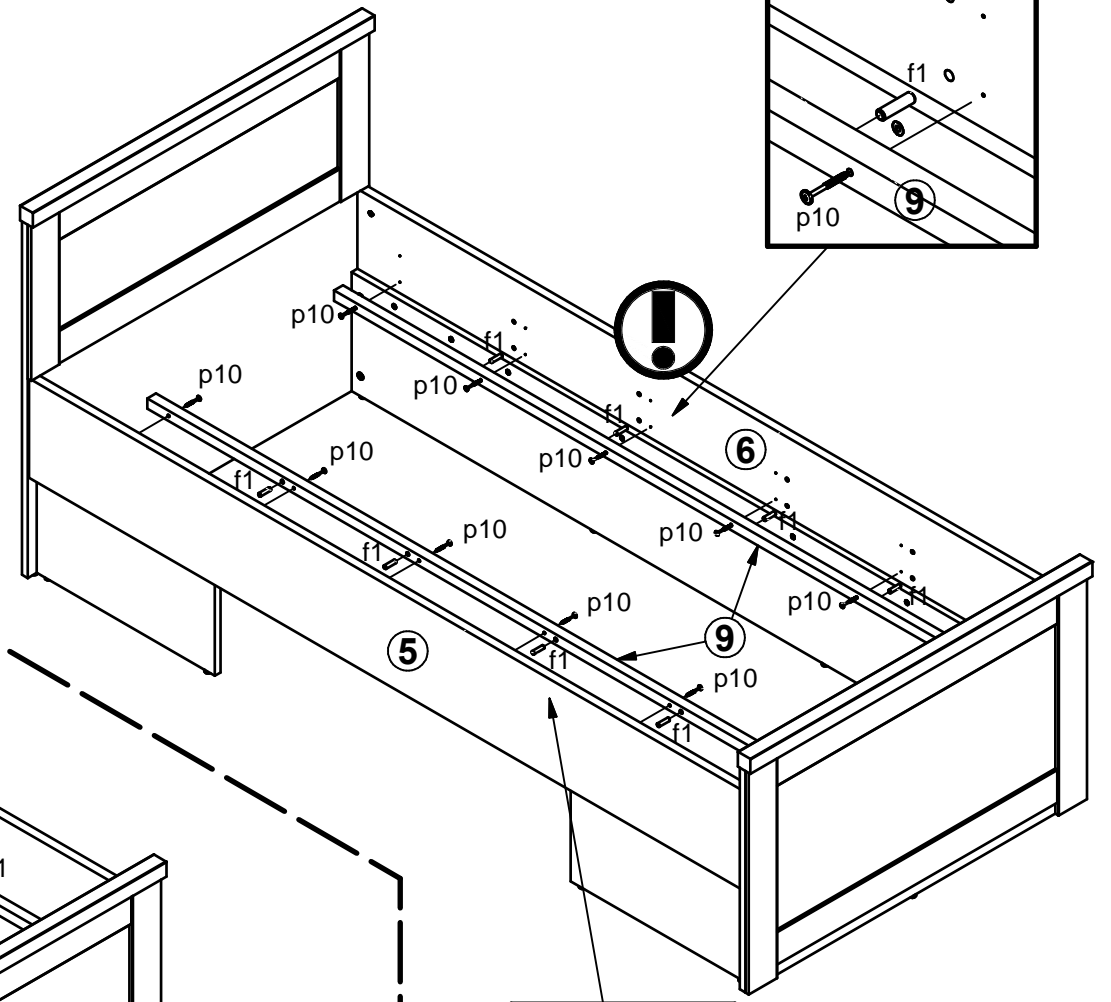
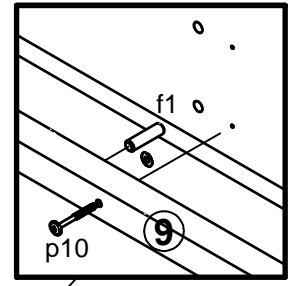


6R

A



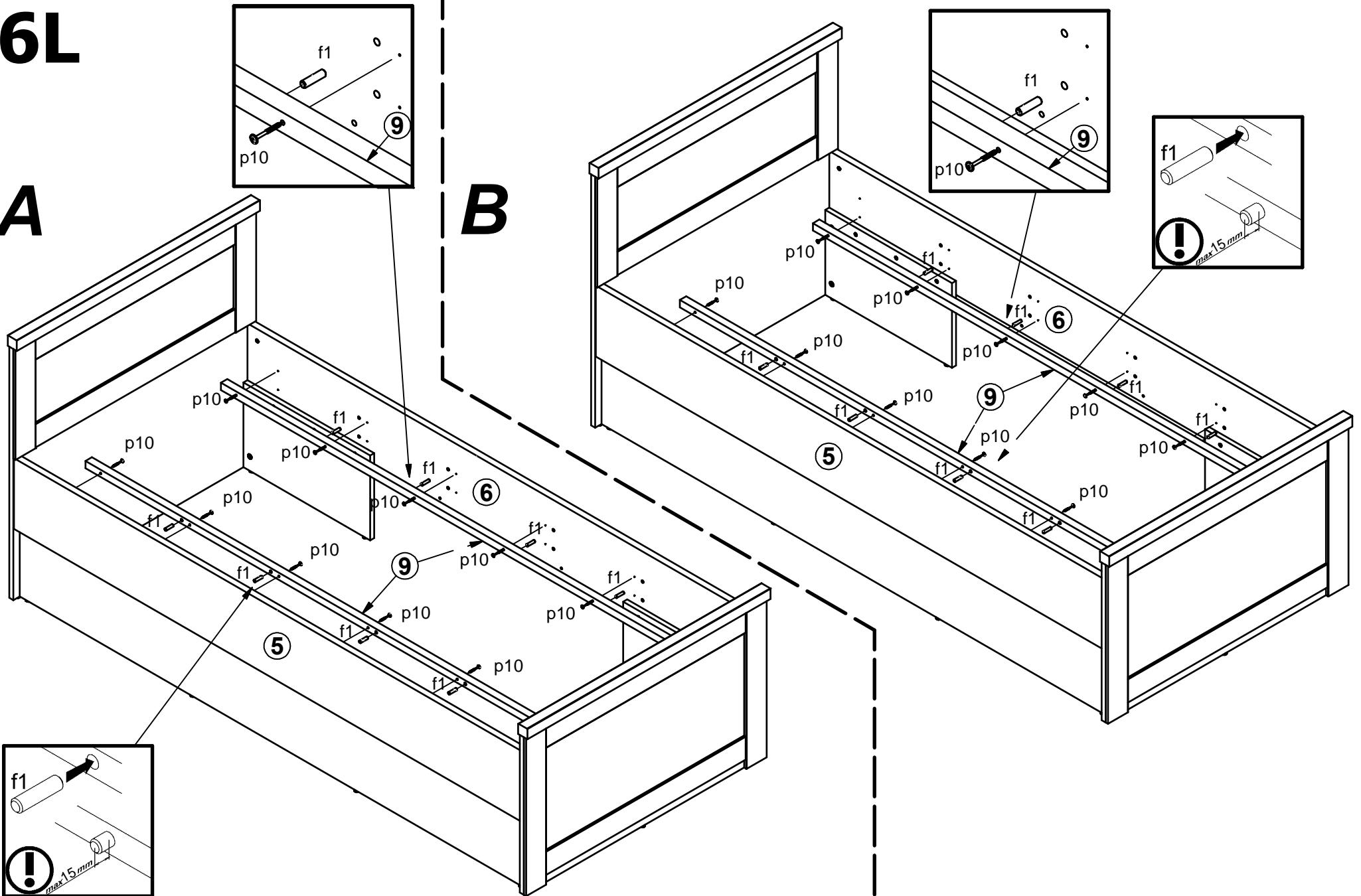
B



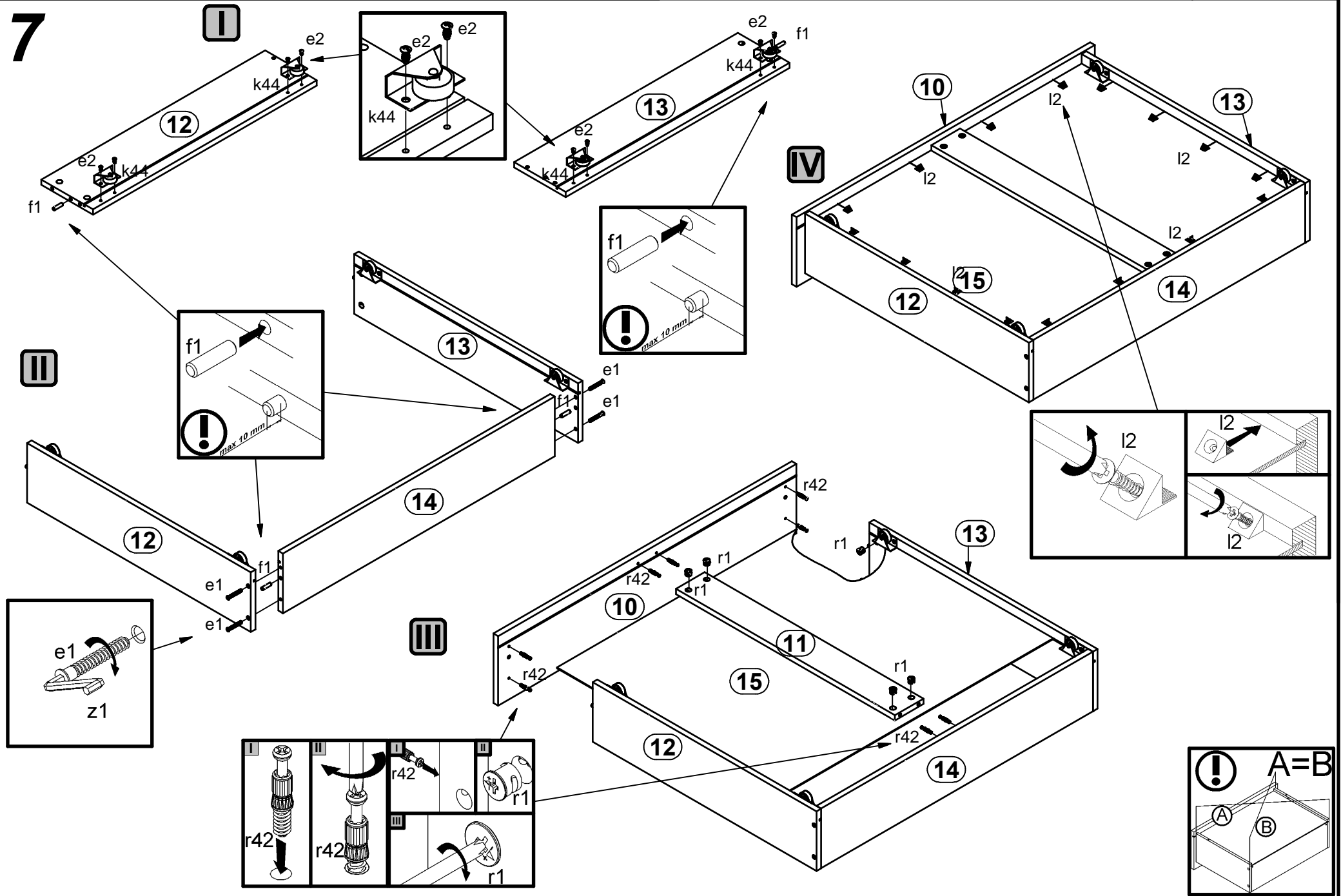
6L

A

B



7



8

R

L

